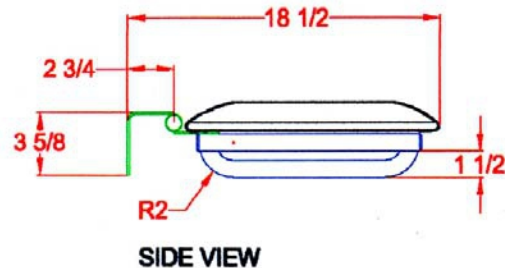
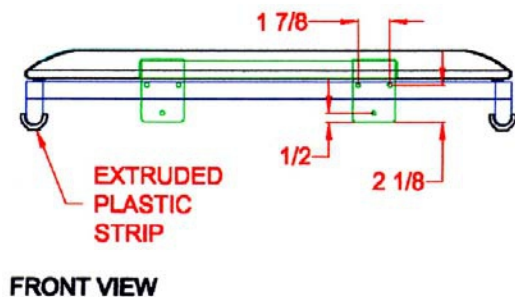
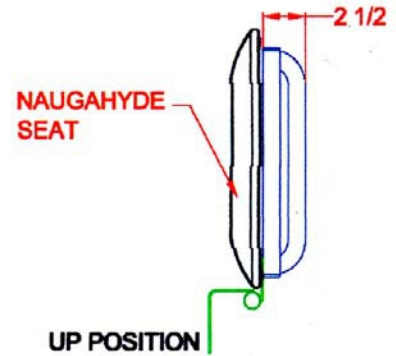
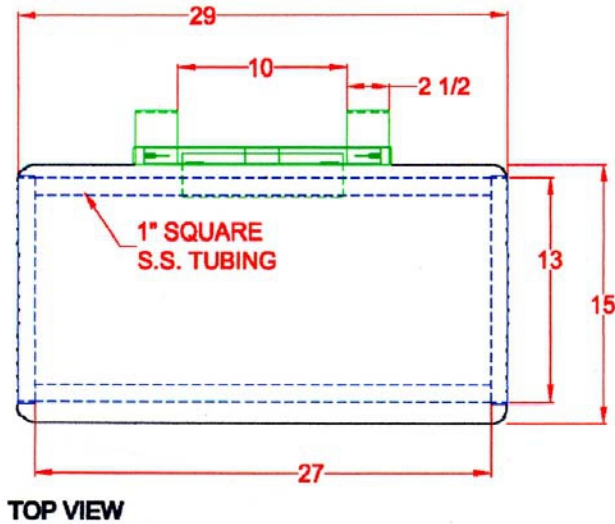


CA414-RM - Specifications



CA414-RM

Operation:

Seat is held in a raised position by a tension rod placed in the rear crossmember. When seat is lowered into the down position, the bars on the bottom of the seat rest on the tub ledges and are protected by the extruded plastic strips.

Architectural Specifications:

Model CA414-RM

Frame: Type 304 (18-8) S.S. Tube, 1-1/4" (32mm) x 18ga. (1.2mm) sq. mainframe with 1" (25mm) x 18ga. (1.2mm) rd. cross members.

Leg: H-shaped yoke of type 304 (18-8) S.S. Tube, 1" (25mm) x 18ga. (1.2mm) rd. tubing. Heliarc welded to 1-1/4" (32mm) rd. x 12ga. (2.7mm) frame hinge. The seat safely stays in raised position by a tension rod inside the rear crossmember.

Materials:

Frame: Type 304 (18-8) S.S. Tube, 1-1/4" (32mm) x 18ga. (1.2mm) sq. mainframe with 1" (25mm) x 18ga. (1.2mm) rd. cross members.

Wall Flanges (2): Type 304 (18-8) S.S. – 3 Mounting holes in each flange.

Seat Choices: (Designated when ordering)

NW or NA – White (NW) or Almond (NA) Naugahyde covering 2" (51mm) foam mounted on 1/2" (13mm) marine plywood.

PW, PA or PT – White (PW), Almond (PA), or Teak (PT) finish – Phenolic 1/2" (13mm) x 3" (76mm) slats bolted to frame with SS screws.

HW – White High Density Polyethylene (HDPE) 1/2" (13mm) thick, bolted to frame with SS screws.

Installation:

All Shower Seats must only be installed using suitable fasteners and sufficient in-wall backing materials. ADA mounting height for seat in lowered position is 17" (432mm) to 19" (482mm).

MJC Designs, LLC
Compliance Alliance
77 Zion Park Ct
Troy, VA 22974