

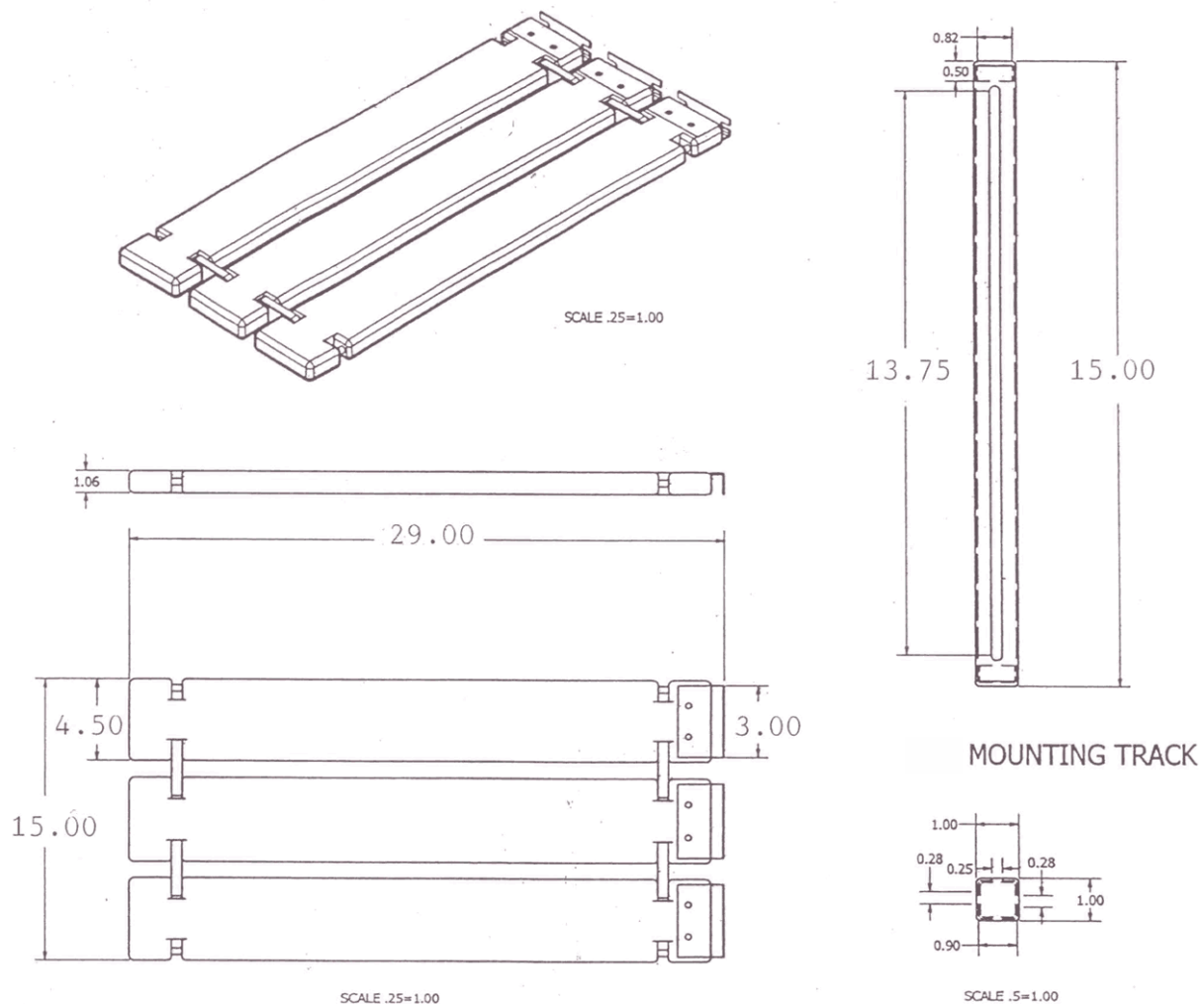
Economy Side Mount Folding Tub Bench - CA28ESM

When properly installed (ADAAG 206 & 210) our removable folding Tub Bench meets ADA requirements. The patented design of the Folding Tub Bench allows for easy removal and storage when not in use. Easy installation for existing and new construction, price and appearance are added features to this design.

- 16 Gauge Type 304 Stainless Steel Mounting Track on 12-3/4" Mounting Centers
- 16 Gauge Type 304 Stainless Steel Slat Hangers
- Polyethylene Slats with Stainless Steel cores, 28" long with non-slip surface
- Polypropylene Slat Hinges / Color = White
- Rubber Pads on each slat end to protect tub surface
- Includes easy to install tracking bar

Materials

High density polyethylene white slats, 28" in length, overall length approximately 29".



Compliance Alliance
434-589-3432
77 Zion Park Ct
Troy, VA 22974